

# DYWIDAG PT Anchor Bolt

PT (Post Tensioned) Anchor Bolts for Sign Structures, Light Poles and Towers  
High tensile – DYWIDAG THREADBAR®

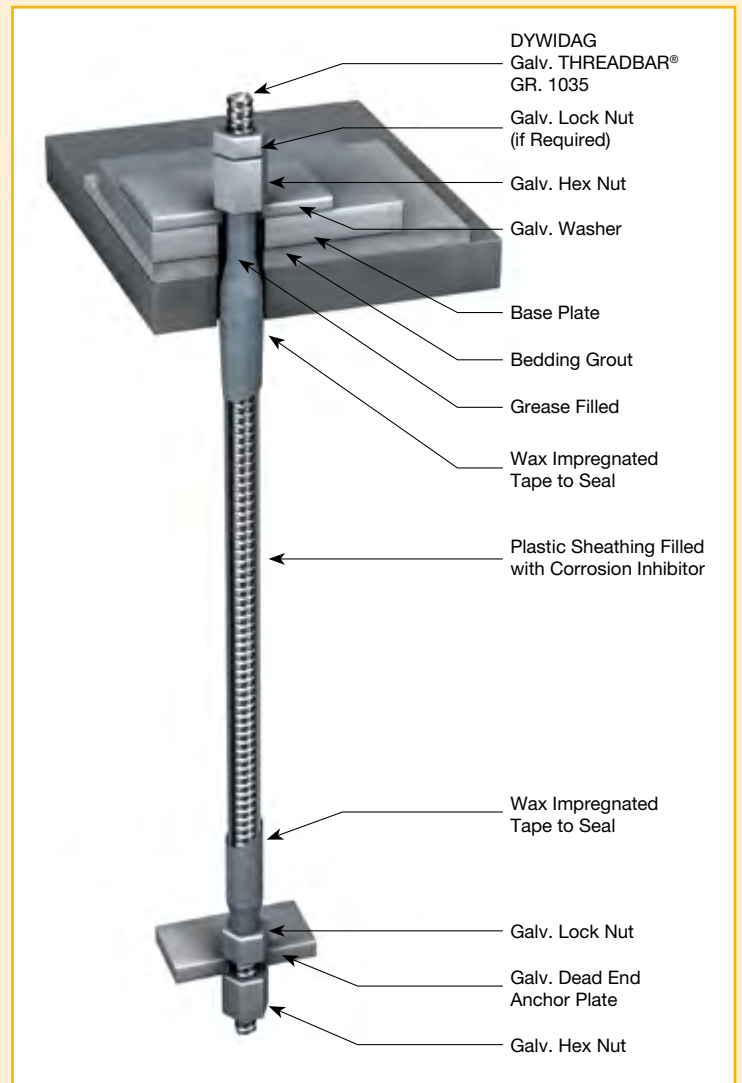


## PT Anchor Bolt Features:

- Superior performance – Anchorbolts come with a continuous durable thread along the full length. This allows for quick on-site assembly.
- Can be easily cut or spliced to any length required.
- More durable than upset threaded or machine threaded anchor rods.
- No strength loss from thread forming.
- Excellent corrosion protection with galvanized parts and micro wax grease for free stressing length.
- Stressed with calibrated hydraulic jacks for accurate loads.
- Permanent tension in the anchor rod eliminates fatigue cycles or lift off.
- Higher load per length compared to conventional anchor rods reduces overall anchor length.
- Easy to straighten bars bent during impacts from collisions or snow plows.

Nominal Bar Diameter	Steel Area $A_s$	Yield Load $P_y = f_y A_s$	Ult. Load $P_u = f_u A_s$	Nominal Wt.	Max. Bar $\varnothing$ Across Ribs	
mm	mm <sup>2</sup>	kN	kN	kg/m	mm	
26	1"	548	456	<b>567</b>	4.48	30.5
32	1 ¼"	806	669	<b>834</b>	6.53	36.7
36	1 ¾"	1,019	845	<b>1,054</b>	8.27	41.4
46*	1 ¾"	1,664	1,423	<b>1,779</b>	13.54	51.0
66*	2 ½"	3,331	2,754	<b>3,470</b>	26.36	70.9
75*	3"	4,419	3,650	<b>4,568</b>	35.85	80.0

\* Cold rolled THREADBAR®



**Please note:**

This brochure serves as basic information only. Technical data and information provided herein shall be considered non-binding and may be subject to change without notice.

We do not assume any liability for losses or damages attributed to the use of this technical data and any improper use of our products. For further information on particular products, please contact your DSI local sales representative.

**DSI Canada Ltd.**

#103-19433-96th Avenue  
Surrey, B.C. V4N 4C4  
Phone: 604-888-8818  
email: wcd@dsiamerica.com

37 Cardico Drive  
Gormley, ON. L0H 1G0  
Phone: 905-888-8988  
email: ecd@dsiamerica.com

#204 - 2816-21st Street NE  
Calgary, AB T2E 6Z2  
Phone: 403-291-4414  
email: wcd@dsiamerica.com